



# POTENTIOMETERS

## 3590S PRECISION WIRE-WOUND POTENTIOMETER

### FEATURES

- Multiturn / precision
- Easy to mount and adjust
- Metal and plastic shaft available
- Bag packaging available

### ELECTRICAL CHARACTERISTICS

Standard Resistance Range  
 .....200 ohms to 100K ohms  
 Resistance Tolerance..... $\pm 5\%$ ,  $\pm 10\%$  Std.  
 Linear accuracy  
 ..... $\pm 0.25\%$ ,  $\pm 0.5\%$ ,  $\pm 1\%$ ,  $\pm 2\%$ .  
 Insulation Resistance.....  
 200 megohms Min.  
 Withstanding Voltage.....450Vac  
 Adjustment Angel..... $3,600^\circ$

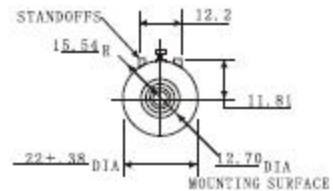
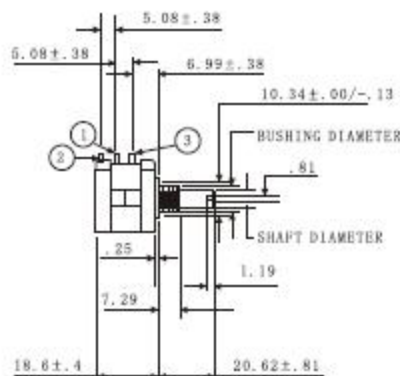
### ENVIRONMENTAL CHARACTERISTICS

Power Rating  
 40°C.....2Watt  
 125°C.....0Watt  
 Temperature Range  
 .....-55°C to +125°C  
 Temperature Coefficient.....50ppm/°C  
 Rotation life.....5,000 Cycles  
 ( $\Delta R \leq \pm 2\%R$ )

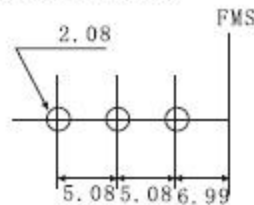
### PHYSICAL CHARACTERISTICS

Total Travel..... $3600 \pm 10^\circ$   
 Starting Torque.....45mN.m Max.  
 Marking.....Resistance  
 Tolerance  
 Products Model & Style  
 Trademark  
 Standard Packaging.....20 PCS. Per Bag

### PRODUCT DIMENSIONS mm



### HOLE DIAMETER



Tolerance is  $\pm 0.05$ , if no identification

### HOW TO ORDER

**3590S - 500  $\Omega$  - K**



### STANDARD RESISTANCE TABLE

Resistance (ohms)	Resistance (ohms)
200	201
500	501
1,000	102
2,000	202
5,000	502
10,000	103
20,000	203
50,000	503
100,000	104

Popular values listed in the table, Special resistance available.

